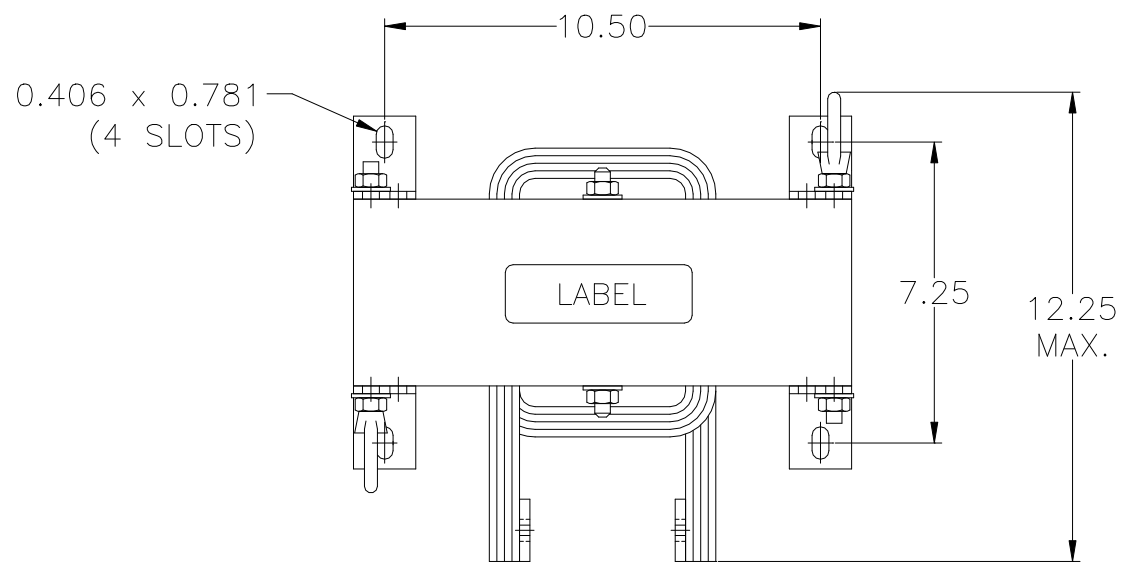


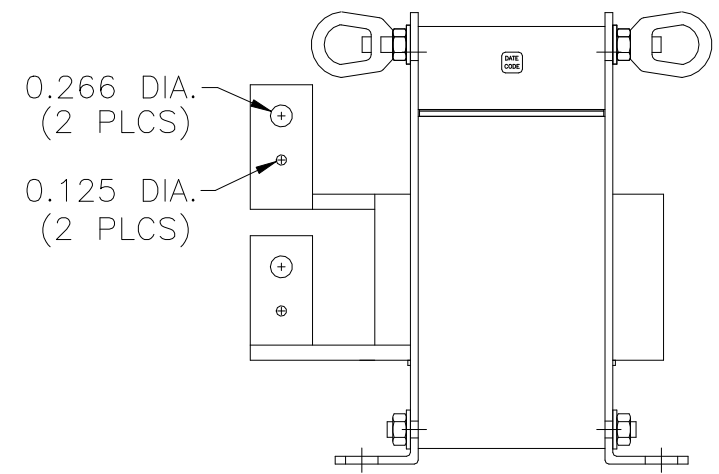
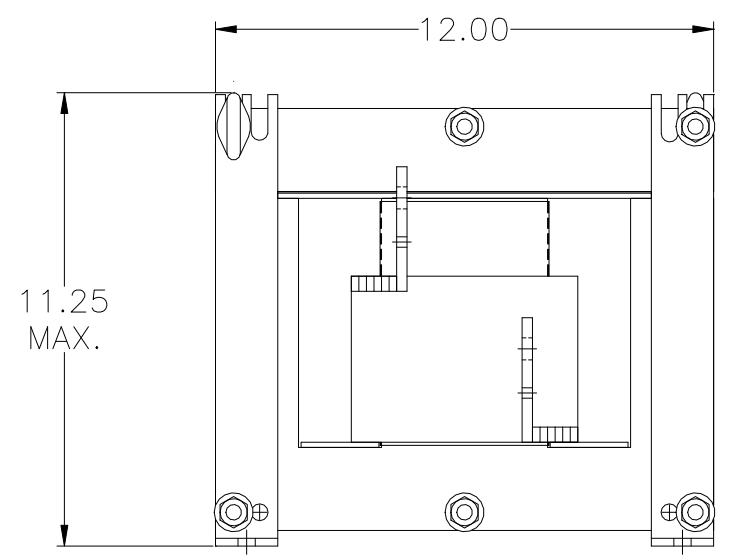
CONFIDENTIAL Property of MTE Corporation, An SL Industries Company FILE:

INDUCTANCE	LOSSES	WEIGHT
0.14 mH	114 Watts	146 Lbs

NO.	CHANGE DESCRIPTION	BY	DATE	C'K'D
04	REVISED PER ECR 7175, ADDED CD	RS	8/24/10	



WIRE RANGE: 00-500 mcm



UNLESS OTHERWISE SPECIFIED, DIMENSIONS ARE IN INCHES [mm] AND TOLERANCES ARE:

DECI.	FRAC.
ANGLES	DRILLED HOLES

PART NAME:	DC LINK CHOKE
DESCRIPTION:	OUTLINE DIMENSION
FINISH:	

MTE CORPORATION MEMONONEE FALLS, WISCONSIN AN SL INDUSTRIES COMPANY			
CD 450RB003			REV. 04
SCALE	NTS	DATE 12/10/97	C'K'D
REF.	DR. BY	JJB	APP'D